

PCV20W Series

20W Non IP Constant Voltage Power Supplies



Case: 8046GP
113 x 44 x 28mm

Features

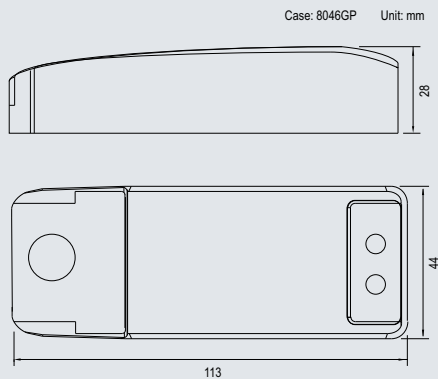
- Captive terminal screws for ease
- Snap lock cable strain relief
- Over load, short circuit and thermal protection
- SELV equivalent
- Class II product
- RI suppression in accordance with EN55015
- Suitable for indoor lighting applications



Specification

INPUT	Voltage	220~240VAC	
	Frequency	47-----63Hz	
	Power Factor	0.80	
OUTPUT	MODEL No.	PCV1220	PCV2420
	Voltage	12V	24V
	Current Range	0-1.7A	0-0.83A
	Power	20W	20W
	R&N	450mV	750mV
	Efficiency	82%	84%
	PROTECTIONS	Over Load	Auto recovery
	Over Temperature	Thermal	
ENVIRONMENT	Temperature	Operating: -20~+50°C; Storage: -20~+70°C	
SAFETY	Safety Standard	Designed to meet EN61347-1, EN61347-2-13	
	EMI Standard	Meets Emissions to EN 55015, EN61547, EN61000-3-2, EN 61000-3-3	
OTHERS	Lifetime	50K hours full load 25°C	
	Packing	N.W.:0.1Kg / 1pc; 100pcs / 12Kgs; 0.70CUFT / 1 CTN	
	Case	8046GP	

Dimensions



LED Configuration

