

# Bright Green Aluminium Profiles

Bright Green Aluminium Profiles for flexible and rigid LEDs are slim extrusions with a frosted cover to give an even, diffused lighting effect. The extrusion is fitted with the supplied clips, ensuring a strong, secure fixing.

Choose Bright Green Aluminium Profiles to complement our range of flexible and rigid PCB products.

Fits LED PCBs up to 12mm in width



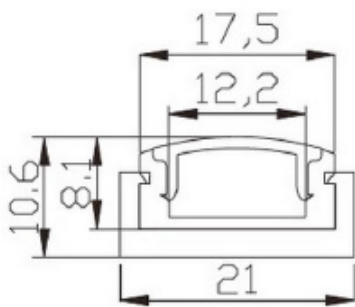
## Product Range

Product code	Length	Outer Dimensions	Components
FK-001	1m as standard, up to 3 metres as a custom order	17.50 x 8.10	Anodised aluminium channel, opal diffuser, 2 end caps and 2 fixing clips
FK-002		17.50 x 13.00	
FK-003		26.87 x 19.81	

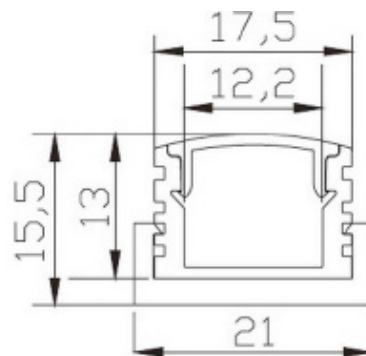
\* Other diffuser options available

## Dimensions

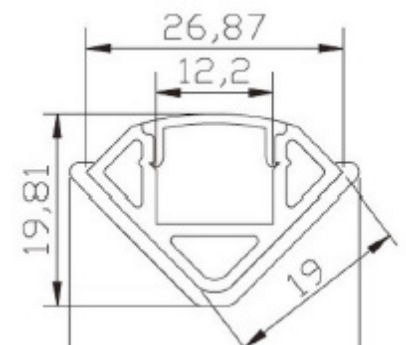
Profile 1



Profile 2



Profile 3



Tel +44 (0) 1932 355221 Email [info@brightgreentechnology.com](mailto:info@brightgreentechnology.com)  
Find out more at [www.brightgreentechnology.com](http://www.brightgreentechnology.com)

