

# Bright Green Wide Angle Modules

Bright Green Wide Angle Modules are made with a patented optical lens which produces a wide viewing angle - 165° for the standard version, 140° for the mini.

The modules are designed for applications requiring high lumen output with excellent lighting uniformity.



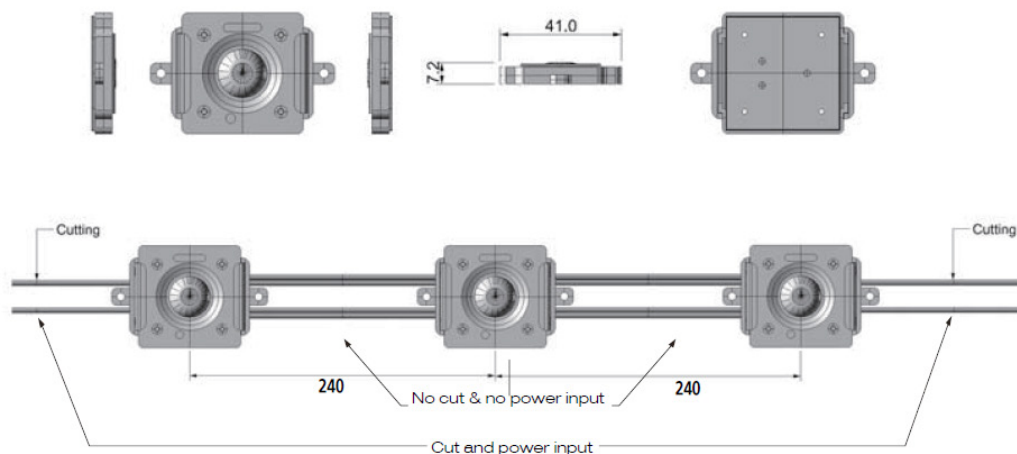
## Product Range

Product code	Colour	Colour temp*	Lumens*	Voltage	Power	Max in series	Viewing angle
WM-1CW12-21	Cool white	6500K	170	12	2.8W	21	165°
WM-1NW12-21	Neutral white	4000K	110	12	2.8W	21	165°
WM-1WW12-21	Warm white	3100K	110	12	2.8W	21	165°
WM-1RD12-21	Red	618nm	95	12	2.8W	21	165°
WM-1GR12-21	Green	518nm	160	12	2.8W	21	165°
WM-1BL12-21	Blue	453nm	56	12	2.8W	21	165°
WMM-1CW12-60	Cool white	6500K	88	12	1.4W	30	145°
WMM-1WW12-60	Warm white	3000K	79	12	1.4W	30	145°

\* Typical values

## Dimensions

Wide Angle - WM

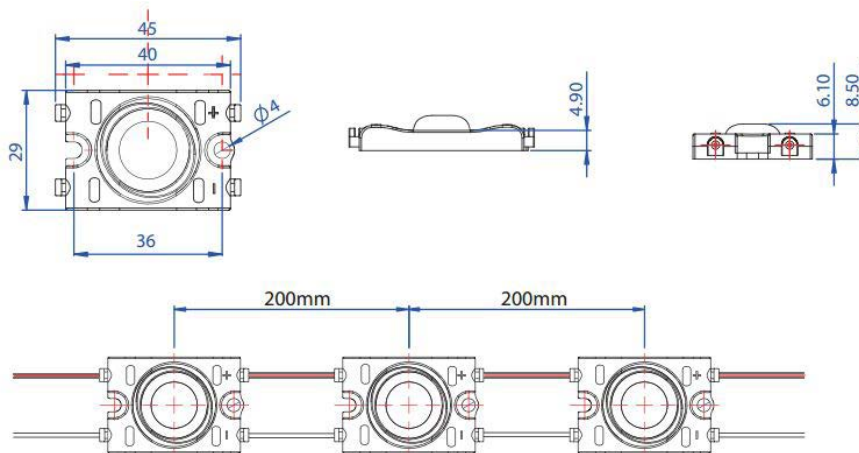


Tel +44 (0) 1932 355221 Email [info@brightgreentechnology.com](mailto:info@brightgreentechnology.com)  
 Find out more at [www.brightgreentechnology.com](http://www.brightgreentechnology.com)  
 or buy online at [www.brightgreendirect.com](http://www.brightgreendirect.com)



# Bright Green Wide Angle Modules

Wide Angle Mini- WMM



## Electrical Connection

For the wide angle module - WM, the maximum run in series is 21 modules. Use another run in parallel to connect more. 3 module minimum sets - only cut on the red and white wire.

For the mini wide angle module - WMM, the maximum run in series is 30 modules. Use another run in parallel to connect more.

## Operation Notes

Operating temperature range:  $-10^{\circ}$  to  $50^{\circ}$  C.

Storage temperature range:  $-20^{\circ}$  to  $60^{\circ}$ C.

## Connection

Installation should be carried out by suitably qualified personnel. Connect to a stabilised power supply with full approvals.

