

PUC-V06 Series

60W IP67 Rated Constant Voltage LED Drivers



Case: 8018JK
162.5 x 42.5 x 32 mm

Features

- Constant voltage mode power supply
- Universal AC input
- Fully encapsulated with IP67 level (Note.8)
- Withstand 300VAC surge input for 5 seconds
- Short circuit, over current, over voltage protections
- Fully isolated plastic case
- Class II power unit, no FG
- Cooling by free air convection
- Passes LPS
- Suitable for LED lighting and moving sign applications (Note.7)

☐ LPS IP67 CE

Specification

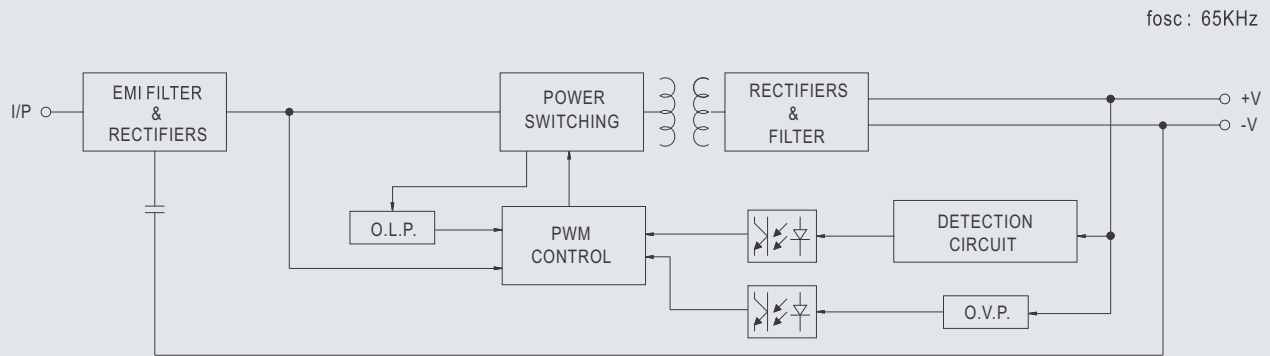
INPUT	Voltage	90V ~ 264VAC or 127V ~ 370VDC.					
	Frequency	47 ----- 63 Hz					
	Current	1.2A@115VAC 1A@230VAC					
	Inrush Current	60A@230VAC, Cold start					
	Leakage Current	0.25mA@240VAC					
OUTPUT	MODEL No.	PUC-V06A	PUC-V06C	PUC-V06D	PUC-V06G	PUC-V06K	PUC-V06M
	Voltage	5V	12V	15V	24V	36V	48V
	Rated Current	8A	5A	4A	2.5A	1.67A	1.25A
	Current Range	0~8A	0~5A	0~4A	0~2.5A	0~1.67A	0~1.25A
	Power	40W	60W	60W	60W	60W	60W
	Ripple & Noise	80mV	120mV	120mV	150mV	150mV	150mV
	Efficiency (TYP.)	76%	83%	83%	86%	86%	86%
PROTECTION	Over Voltage	5.75~6.75V	13.8~16.2V	17.25~20.25V	27.6~32.4V	41.4~48.6V	55.2~64.8V
		Shutdown output voltage, re-power on to recover					
	Over Load	110~150% rated output power; hiccup mode, recovers automatically after fault condition is removed					
	Setup time	500ms@115/230VAC					
	Rise time	20ms@115VAC; 30ms@230VAC at full load (5~36V); 30ms@115/230VAC, at full load (48V)					
ELEC. CHAR.	Hold up time	50ms@230V 16ms@115VAC, full load condition					
	Voltage Tolerance	±8.0% for 5V; ±5.0% all others					
	Line Regulation	±1.0%					
ENVIRONMENT	Load Regulation	±6.0% for 5V; ±2.0% all others					
	Temperature	Operating: -30 ~ +70°C ; Storage: -40~ +80°C ; Refer to derating curve					
	Humidity	Operating: 20% ~ 90% RH; Storage: 10% ~ 95% RH (non condensing)					
	Temp. Coefficient	±0.03%/°C (0~50°C)					
SAFETY	Vibration	10 ~ 500Hz, 2G 10min./1cycle, period for 60min. each along X, Y, Z axes					
	Withstand voltage	I/P-O/P:3KVAC					
	Isolation resistance	I/P-O/P:>100M Ohms / 500VDC / 25°C / 70% RH					
EMC	Safety standard	Compliance to UL879 (except for PUC-V06A), UL1310 (except for PUC-V06A), CSA C22.2 No. 207-M89 (except for PUC-V06A, PUC-V06M) CAN/CSA C22.2 No.223-M91 (except for PUC-V06A, PUC-V06M), IP67, design refers to TUV EN60950-1					
	EMC Emission	Compliance to EN55022 (CISPR22) Class B, EN61000-3-2 Class A, EN61000-3-3					
OTHERS	EMC Immunity	Compliance to EN61000-4-2,3,4,5,6,8,11; EN55024, Light industry level, criteria A					
	M.T.B.F.	732K hrs min. MIL-HDBK-217F (25°C)					
	Packing	0.4Kg / 1pc ; 32pcs / 13.8Kgs 0.56CUFT / 1 CTN					

1. All parameters NOT specially mentioned are measured at 230VAC input, rated load and 25°C of ambient temperature.
2. Ripple & noise are measured at 20MHz of bandwidth by using a 12" twisted pair-wire terminated with a 0.1uF & 47uF parallel capacitor.
3. Tolerance : includes set up tolerance, line regulation and load regulation.
4. Derating may be needed under low input voltage. Please check the static characteristics for more details.
5. The power supply is considered a component that will be operated in combination with final equipment. Since EMC performance will be affected by the complete installation, the final equipment manufacturers must re-qualify EMC Directive on the complete installation.
6. Length of set up time is measured at first cold start. Turning the power supply ON/OFF may lead to increase of the set up time.
7. The unit might not be suitable for lighting applications in EU countries. Please check with your local authorities for the possible use of this unit.
8. Suitable for indoor use or outdoor use without direct sunlight exposure. Please avoid immersion in water over 30 minutes.

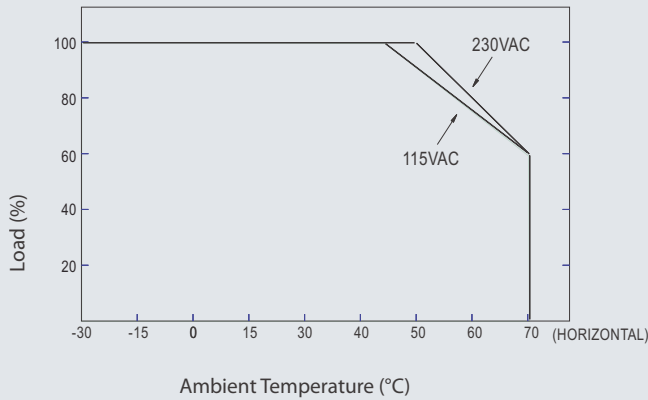
PUC-V06 Series

60W IP67 Rated Constant Voltage LED Drivers

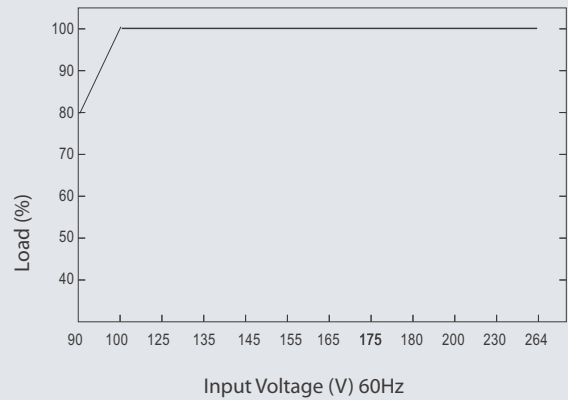
Block Diagram



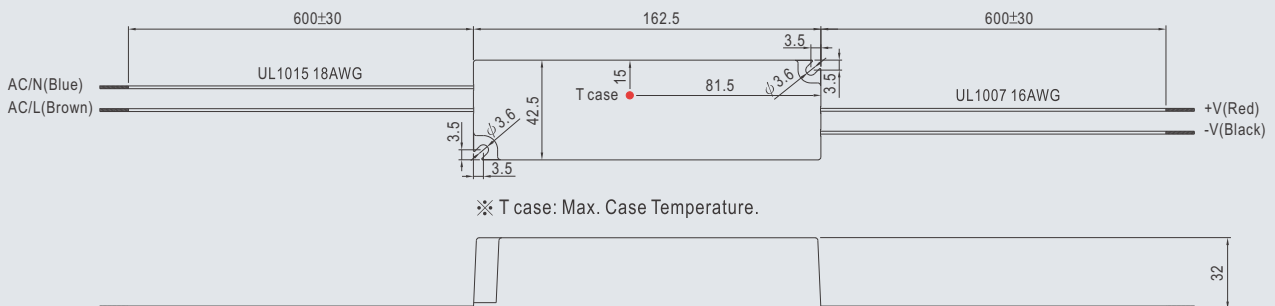
De-Rating Curve



Static Characteristics



Dimensions



※ T case: Max. Case Temperature.

Recommended mounting direction

