

# Bright Green RGB Control

The Bright Green RGB controller is specifically designed for controlling RGB LED strip tape. It features a touch colour wheel, allowing you to easily select your desired colour.

The Bright Green RGB amplifier is designed to increase the quantity of RGB LED systems that can be used in one application.

12V /  
24V

2yr  
WARRANTY

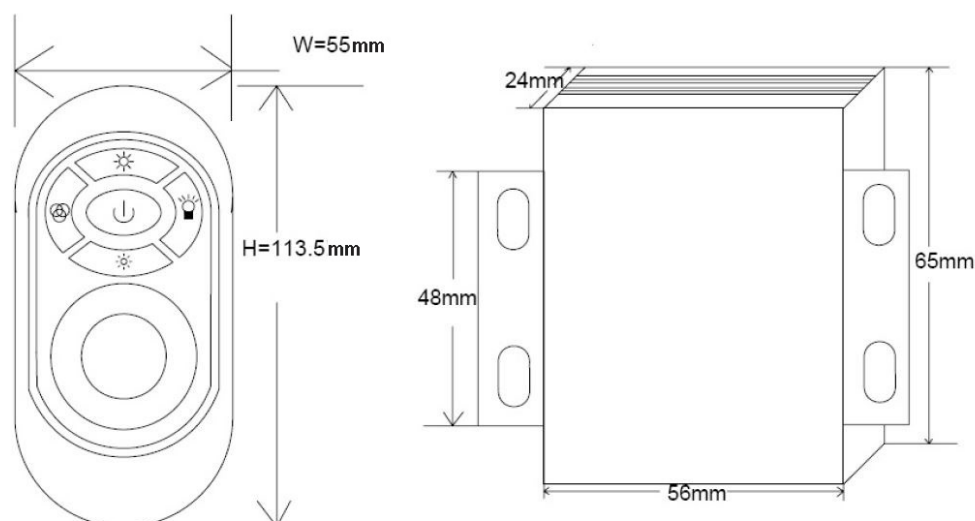
CE



## Product Range

Product code	C-RGB- CON18	C-RGB- SL18
Nominal supply voltage	12-24V DC	
Maximum current output	12A	18A
Continuous output power, max	144W at 12V 288W at 24V	216W at 12V 432W at 24V

## Dimensions



Tel +44 (0) 1932 355221 Email [info@brightgreentechnology.com](mailto:info@brightgreentechnology.com)  
Find out more at [www.brightgreentechnology.com](http://www.brightgreentechnology.com)  
or buy online at [www.brightgreendirect.com](http://www.brightgreendirect.com)

© 2014 Bright Green Technology Limited

bright green.  
technology

# Bright Green RGB Control

## Electrical Connection

Typical connection is a low-voltage DC supply in the range of 9 - 32V. Connection terminals are high quality rising-clamp terminal blocks capable of receiving up to 4mm<sup>2</sup> cable. The connectors are spaced at 5mm pitch. To maximise the potential of the units, cable rated at currents exceeding the load by 1.5 times should be used to connect the units.

## Operation Notes

Operating temperature range: -20° to 60° C.

### Connection

Installation should be carried out by suitably qualified personnel. Connect to a stabilised power supply with full approvals.

